



You are invited to attend the next Traffic Committee Meeting:

AGENDA

**Traffic Committee Meeting
4 July 2023**

Order Of Business

1	Reports	4
1.1	NEW BUS ZONE REMEMBRANCE DRIVEWAY TAHMOOR.....	4
2	General Business	11
	No Items	

1 REPORTS

1.1 NEW BUS ZONE REMEMBRANCE DRIVEWAY TAHMOOR

File Number: 10623#307

Directorate: Shire Services

EXECUTIVE SUMMARY

Council issued a Development Consent DA/2019/719/1 for a Seniors Housing Development at 20 Rockford Road, Tahmoor. As part of this consent, public transport connection upgrades were imposed to ensure that adequate infrastructure was available to support the increase demands on services.

Council intends to install a new indented bus bay, bus shelter and sign posted bus zone on Remembrance Driveway, south of the Rockford Road intersection, and is seeking approval through the Local Traffic Committee.

RECOMMENDATION

1. That the Local Traffic Committee endorse the creation of a new bus zone on Remembrance Driveway, Tahmoor.
2. That the Local Traffic Committee endorse the installation of R5-20 Bus Zone signs per the attached plans.

REPORT

Assessment of the seniors housing development at 20 Rockford Road, Tahmoor found that public transport connections were required to support the increase in the demand for services. It has been determined that additional infrastructure is required to support the extension of existing services, being regular public or charter services, or to allow for future services to the development.

A full time bus zone will be established on the eastern side of Remembrance Driveway, adjacent to Stratford House property, within an indented bus bay. The zone will have a minimum length of 30m providing for a 11.5m draw in length, 12.5m stop and a 6m draw out length. The zone is located approximately 60m south of the Rockford Road Intersection.

The design includes an indented bay allowing buses to stop clear of the travel lane. Vehicle parking will also be permitted within the indented bay however it will not encroach to the bus zone. A bus stop slab, shelter and TSGIs will be installed.

The bus zone is connected by footpath to the Remembrance Driveway and Potters Drive roundabout to the south and footpath to the Rockford Road intersection and Rockford road to the north.

Consultation

There was no public consultation undertaken as part of the bus stop design and location.

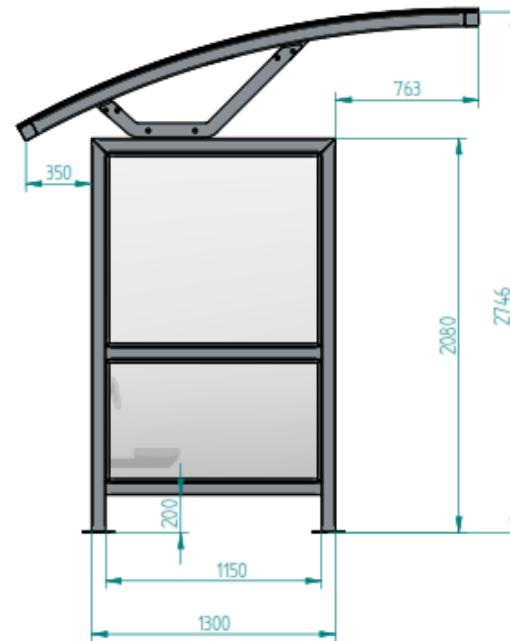
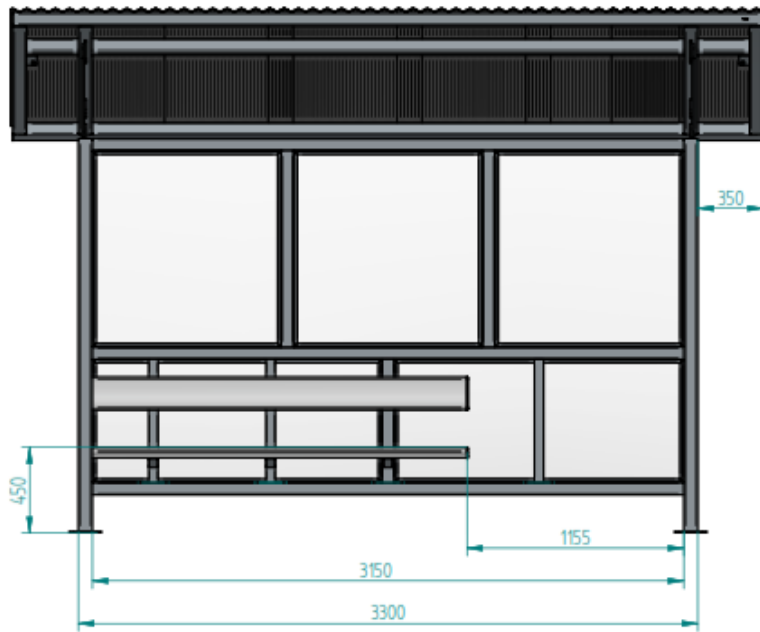
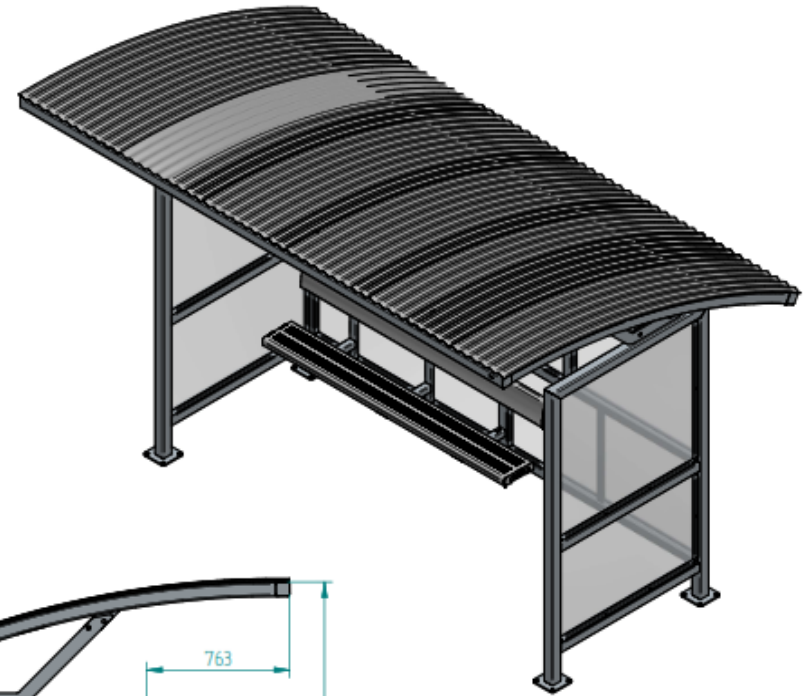
Consultation between the developer and Picton Buslines was undertaken to determine the location of the additional bus zone. Council has been consulted for the design of the indented bus bay and shelter.

Financial Implications

This matter has no financial impact on Council's adopted budget or forward estimates as the proposal is fully funded by the developer of the land.

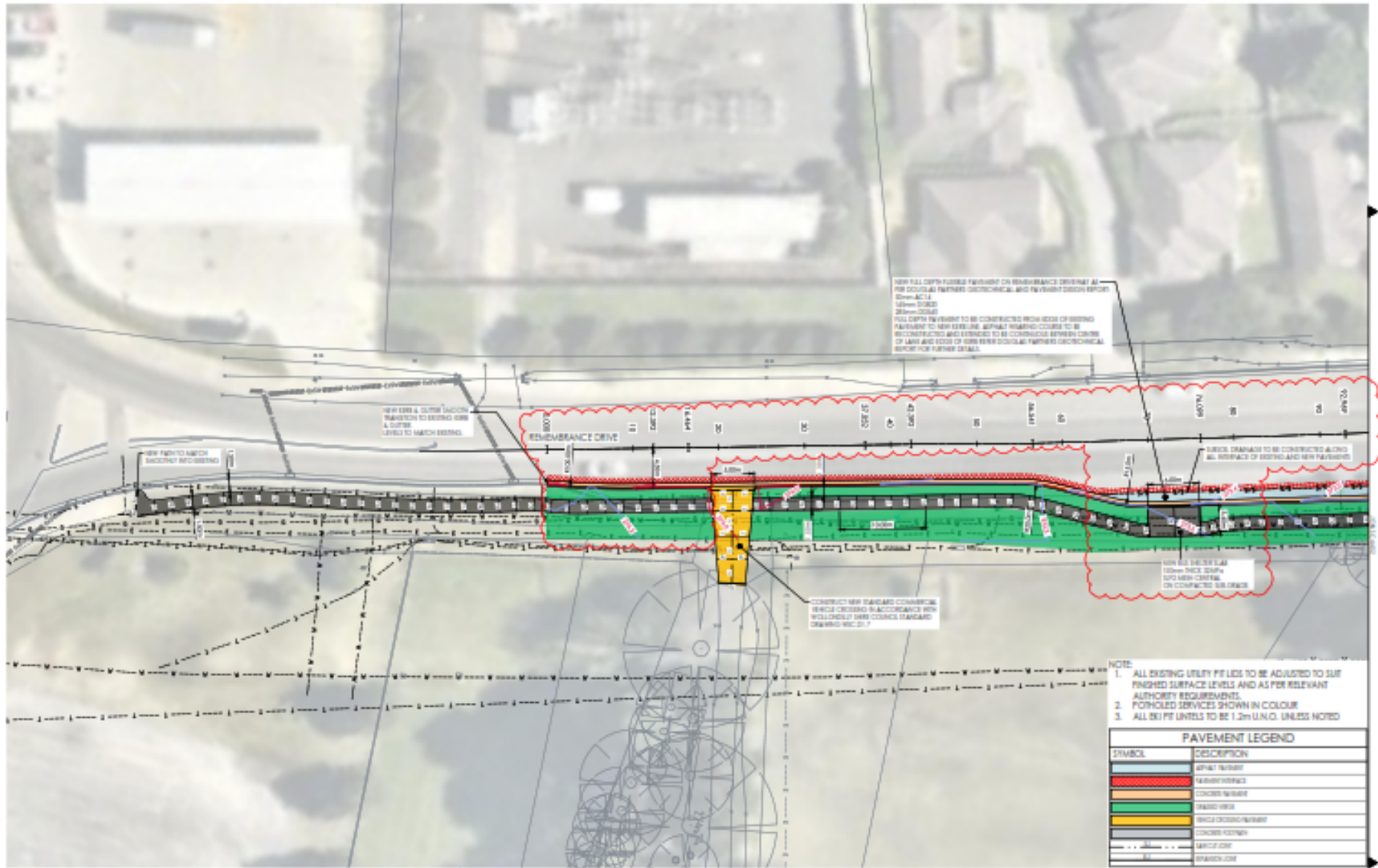
ATTACHMENTS

1. Metro Large with curved roof(2)
2. N0210873 C4401 SITEWORKS AND STORMWATER PLAN - SHEET 2-G(2)
3. N0210873 C4600 SIGNAGE AND LINEMARKING PLAN - SHEET 1-D(2)
4. N0210873 C4800 BUS BAY LAYOUT PLAN-C_AMENDED NOTATION(2)
5. LTC Bus Zone map Remembrance Driveway(2)



- Mild Steel Construction
- Powder Coat or Galvanized Finish Available
- 5 mm Clear Perspex Panels to Sides
- Made to Two Parts for Transport

	NAME	DATE
DRAWN	Tristan	03/06/22
CHECKED		
END APPR		
MGR APPR		
UNLESS OTHERWISE SPECIFIED DIMENSIONS ARE IN MILLIMETERS ANGLES 90°		
2 PL #3000 3 PL #3000		
StraBe STREETS AHEAD		
TITLE		
Metro Shelter - Large		
SIZE	END NO	REV
A2	162-Asm-201	A
FILE NAME: 162-Asm-201.dft		
SCALE:	SHEET 1 OF 1	



SITWORKS AND STORMWATER PLAN
SCALE 1:200

NO	REV	DESCRIPTION	DATE
1	AS	ISSUED FOR CONSTRUCTION	20/08/2024
2	AS	ISSUED FOR CONSTRUCTION	20/08/2024
3	AS	ISSUED FOR CONSTRUCTION	20/08/2024
4	AS	ISSUED FOR CONSTRUCTION	20/08/2024
5	AS	ISSUED FOR CONSTRUCTION	20/08/2024



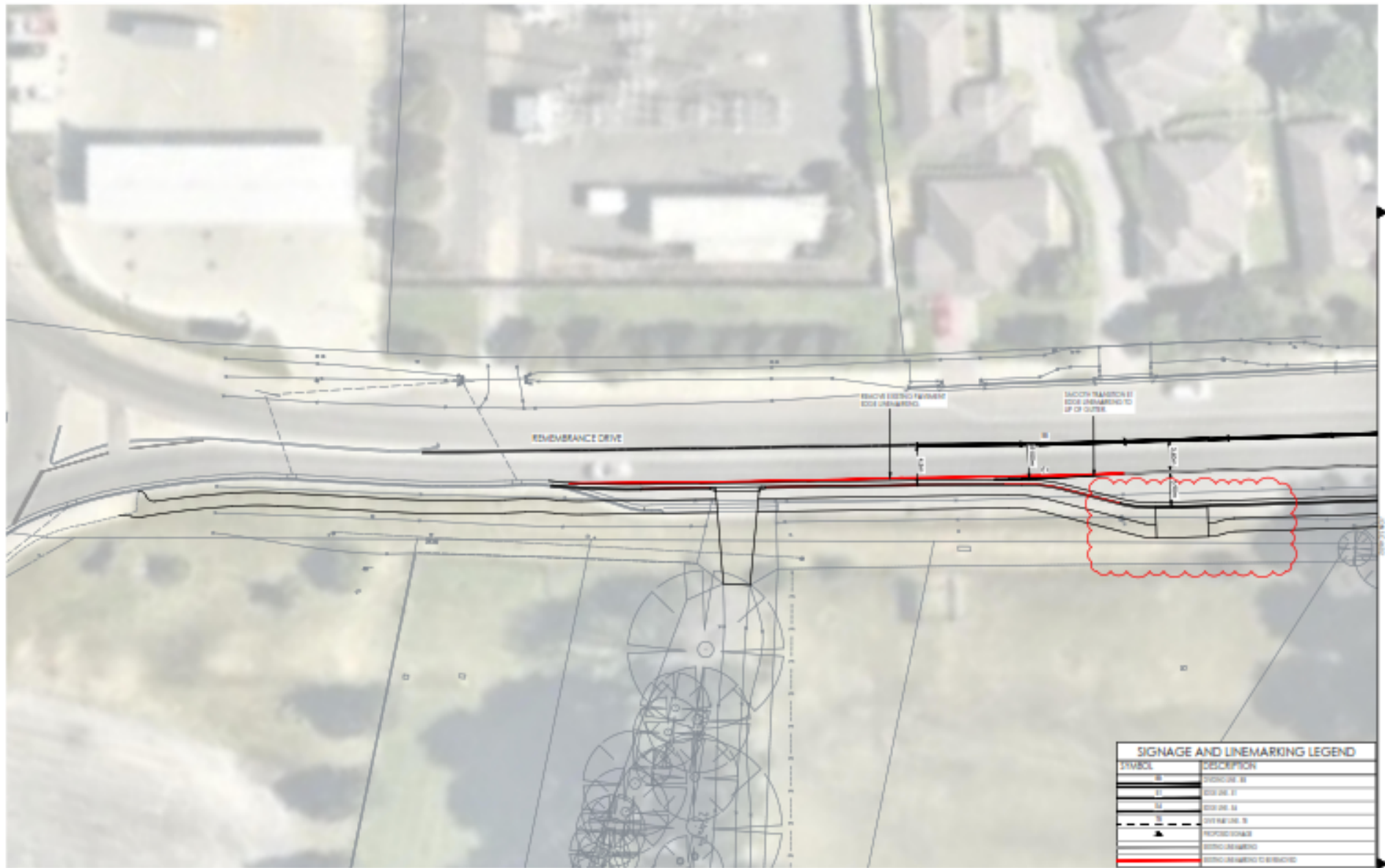
CLIENT
VIVACITY PROPERTY PTY LTD
STATUS
FINAL CONSTRUCTION

DESIGNER
CIVIL DESIGN
DRAWING NO
SITWORKS AND STORMWATER PLAN - SHEET 2

PROJECT
TAHMOOR PUBLIC DOMAIN WORKS
ADDRESS
WINDSOR, NSW 2575

PROJECT NUMBER
N0210873
DRAWN BY
C4401 G





SITeworks AND STORMwater PLAN
SCALE 1:500



FOR CONSTRUCTION PURPOSES

NO.	DATE	BY	DESCRIPTION
1	11/01/2023
2	11/01/2023
3	11/01/2023
4	11/01/2023
5	11/01/2023
6	11/01/2023



CLIENT
VIVACITY PROPERTY PTY LTD
DATE
2023
CONSTRUCTION

DISCIPLINE
CIVIL DESIGN
DRAWING TITLE
SIGNAGE AND LINEMARKING PLAN - SHEET 1

PROJECT
TAHMOOR PUBLIC DOMAIN WORKS
ADDRESS
TAHMOOR, NSW 2575

PROJECT NO
N0210873
DRAWING NO
C4600 D



Wollondilly Shire Council
 PO Box 21
 PICTON NSW 2571
 Ph: (02) 4677 1100
 Fax: (02) 4677 2339
 Web: www.wollondilly.nsw.gov.au



© Wollondilly Shire Council.
 Department of Customer Service.
 While every care is taken to ensure the accuracy of this product, Wollondilly Shire Council and the Local / State / Federal Government departments and Non-Government organisations whom supply datasets, make no representations or warranties about its accuracy, reliability, completeness or suitability for any particular purpose and disclaims all responsibility and all liability (including without limitation, liability in negligence) for all expenses, losses, damages (including indirect or consequential damage) and costs which you might incur as a result of the product being inaccurate or incomplete in any way and for any reason.

Projection: GDA94 / MGA zone 56
Date: 14/06/2023
Created By: Ben Gibbons



2 GENERAL BUSINESS

Nil